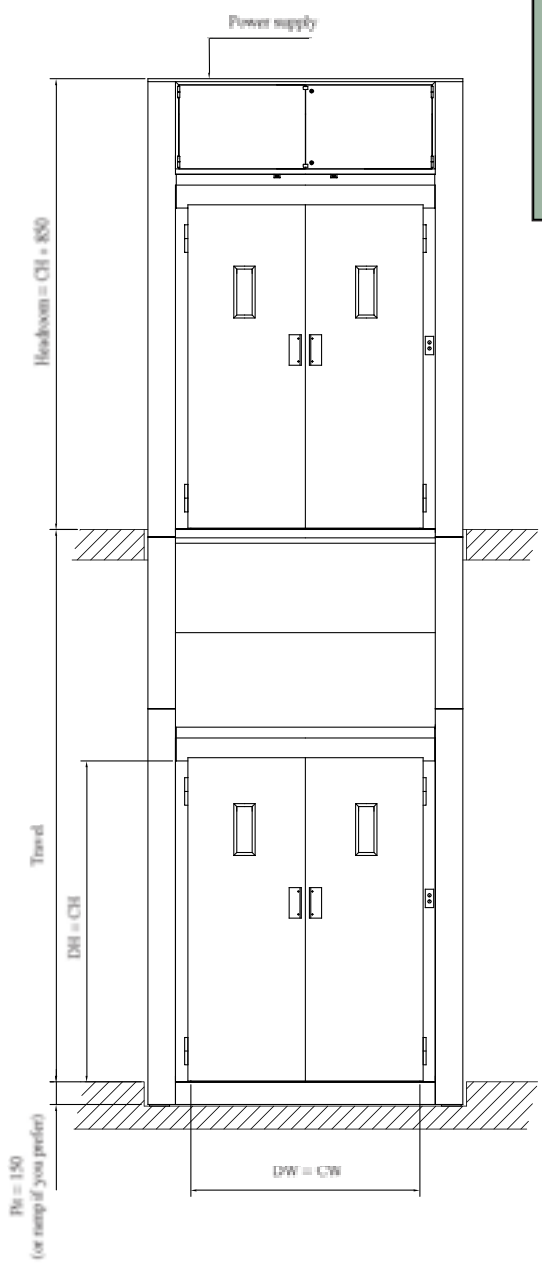
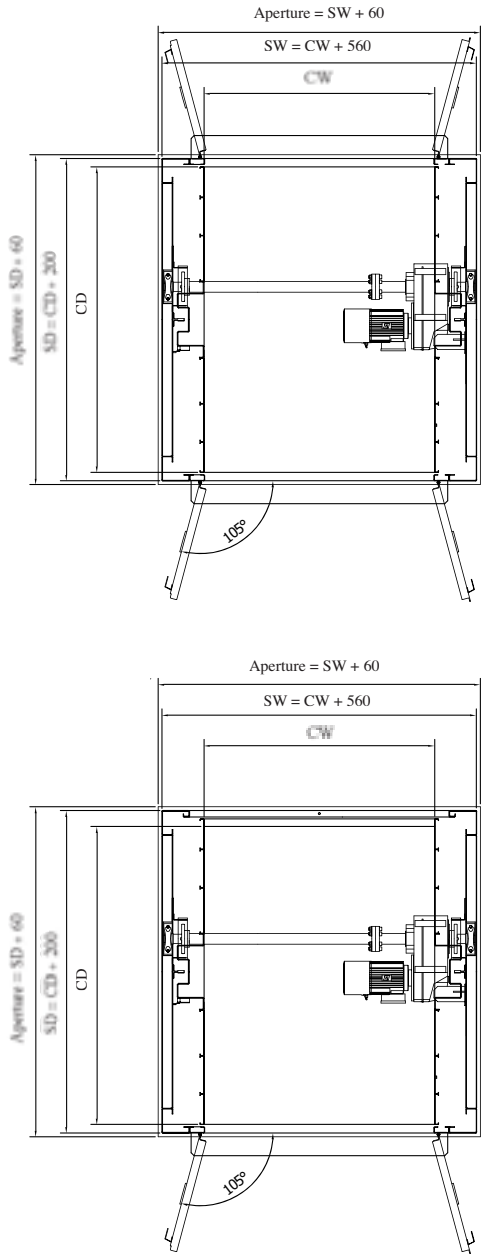




Model Data - Thorax XL

THORAX GOODS LIFT



- SW - Shaft Width
- CW - Car Width
- DH - Door Height
- CH - Car Height
- DW - Door Width
- SD - Shaft Depth
- CD - Car Depth

Please refer to Thorax Model Selection Table to establish lift model

Thorax XL	minimum	standard	maximum
Rated Load		2000kgs	
Car & Doors Height (CH/DH)	1800mm	2000mm	2500mm
Entrances	front only/through car arrangement		
Pit	150mm (or ramp at extra cost)		
Lifting Speed	0.18 metres per second		
Drive	electric/chain drive, lift motor located in shaft head		

Landmark Lifts Ltd. 29 Charter Gate, Quarry Park Close, Moulton Park, Northampton NN3 6QB
 t 0800 652 8138 f 01604 495 111 e info@landmarklifts.co.uk w www.landmarklifts.co.uk

Note - all details are correct at time of completion, however, all data maybe subject to change without prior notice. These details cannot form part of a written contract.

ref:thoraxXLdata-1/09