



# LANDMARK LIFTS LTD

Freefone 0800 652 8138 Web [www.landmarklifts.co.uk](http://www.landmarklifts.co.uk)

## Low-Up Platform Lift

The 'Low-Up' disabled access platform lift provides an ideal solution where the required lift travel height is under 500mm. It is a unique 'open aspect' design specifically designed for both internal and external locations.

If the Low-Up is not exactly what you desire, please give us a call as we may have other solutions!



LOW-UP PLATFORM LIFT

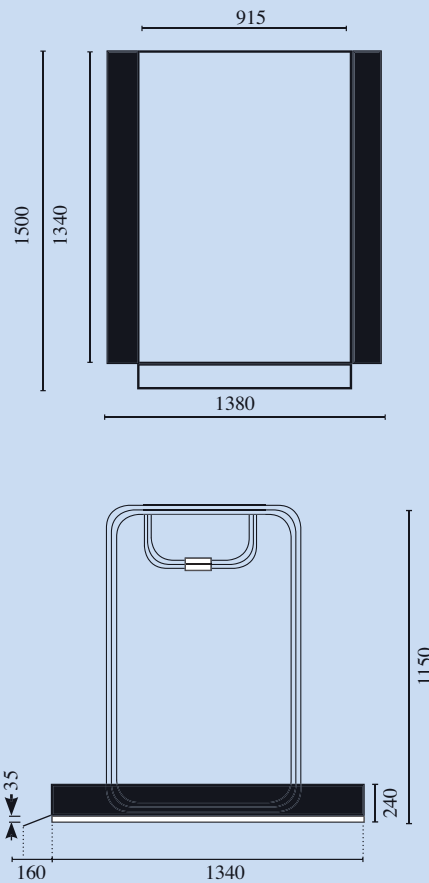


# TECHNICAL SPECIFICATION

<b>Lifting Capacity</b>	225kgs
<b>Lifting Heights</b>	From 200mm up to 500mm only
<b>Drive System</b>	Double scissor
<b>Lifting Speed</b>	10mm per second
<b>Power Supply</b>	240v; single phase
<b>Overall Footprint</b>	1380mm wide x 1500mm long
<b>Platform Size</b>	915mm wide x 1340mm long
<b>Platform Finish</b>	Grey Altro safety non-slip flooring finish
<b>Control System</b>	Constant pressure 'push to run'
<b>Safety Features</b>	Bellows guarding to underside of platform
<b>Standards</b>	CE marked in accordance with 'The European Machinery Directives' via SS 2097-7



# LOW-UP PLATFORM LIFT



## OPTIONS AVAILABLE

- Secure key switch operation
- Remotely located control panel

## BENEFITS

- Short manufacturing time
- Site installation normally 1 day
- Rugged construction
- Suitable for internal & external locations

## NO PIT REQUIRED

- No separate lift plant to locate

**Landmark Lifts Ltd.** 29 Charter Gate, Quarry Park Close, Moulton Park, Northampton NN3 6QB  
 t 0800 652 8138 f 01604 495 111 e info@landmarklifts.co.uk w www.landmarklifts.co.uk

Note - all details are correct at time of completion, however, all data maybe subject to change without prior notice. These details cannot form part of a written contract.

ref:Lowup-1/09